



MICRO SWITCH

FREEPORT, ILLINOIS, U.S.A.
A DIVISION OF HONEYWELL

FED. MFG. CODE 91929

SWITCH-BASIC

CATALOG LISTING

BZ-R21

DRAWING NUMBER
BZ-R21

PAGE 1 OF 1

REPLACES

RELEASE NO.

CHECK

CHECK

CHECK

CHECK

CHECK

CHECK

CHECK

CHECK

CHECK

CHECK

DRAWING NUMBER

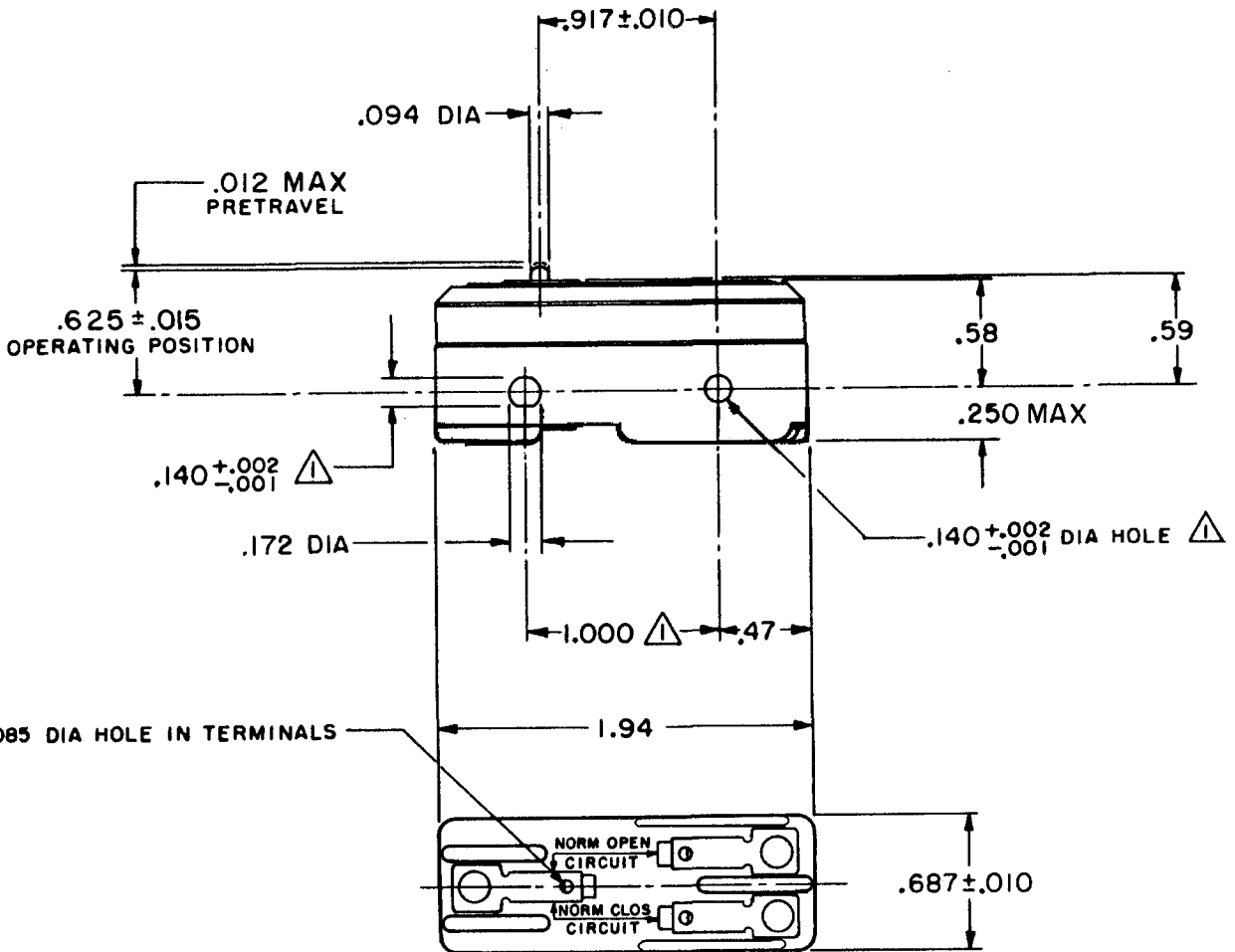
M

ISSUE

11

REVISIONS

| | | |
|-----------|----|---------|
| A | CO | 15200 |
| W L K | | |
| 27 FEB 64 | | |
| B | CO | 30626 |
| D B W | | |
| 24 MAY 72 | | |
| C | CO | 46304 |
| J A P | | |
| 12 OCT 79 | | |
| D | CO | 58037 |
| SMA | | |
| 1 OCT 85 | | |
| E | CO | 78874 |
| DLT | | |
| 17 NOV 94 | | |
| F | CO | 94212-J |
| J J A | | |
| 4 OCT 99 | | |



NOTE
 - MOUNTING HOLES WILL ACCEPT PINS OR SCREWS OF .139 MAX DIA ON 1.000 ± .002 CENTERS

THIS DRAWING COVERS A PROPRIETARY ITEM AND IS THE PROPERTY OF MICRO SWITCH, A DIVISION OF MINNEAPOLIS-HONEYWELL REGULATOR CO. THIS DRAWING IS NOT TO BE COPIED OR USED WITHOUT THE APPROVAL OF MICRO SWITCH.

CHARACTERISTICS

OPERATING FORCE----- 4 OZ MAX
 RELEASE FORCE----- 2 1/2 OZ MIN
 DIFFERENTIAL TRAVEL---.0002-.0005
 OVERTRAVEL-----.005 MIN

ELECTRICAL DATA

CONTACT ARRANGEMENT
 S P D T
 L95
 10A 125, 250 OR 480 VAC
 1/8HP 125 VAC, 1/4HP 250 VAC

SCALE FULL

DO NOT SCALE PRINT
 UNLESS OTHERWISE NOTED
 DIMENSIONS ARE IN INCHES
TOLERANCES ARE:
 ONE PLACE (.0) ±.030
 TWO PLACE (.00) ±.015
 THREE PLACE (.000) ±.005
 ANGLES ±

WEIGHT .050 LB



FORMTEK

FO-90378

DRAWN

W L K 27 FEB 64